

## ZQ-7E | SERIES Ø72mm

### Signal Light/Small Size

Miniaturized dome light design  
Exquisite appearance streamline design language Lampshade  
surface smooth design, not easy to dust  
Lamp shade prism optical design, warning effect is very obvious  
Support open collector, PLC can be driven directly



#### Technical Parameters

Standard	IEC/EN 61000-6				
Signal	CE				
The environment temperature	Storage	-40°C~+70°C			
	Operating	-25°C~+55°C			
Operating humidity	45 to 85%RH				
Degree of Protection	IP54 Watertight/Oiltight (Vertical mount: IP65)				
Material	Lampshade	PC			
	Light body	PA66			
Light source	LED				
Rated insulation voltage	IEC60947-1	>800V			
Voltage range	IEC60947-5-1	V0.85~1.10Un			
Rated Voltage		12V/DC	24V/DC	110V/AC	220V/AC
	LED Current				
LED Current	Red	120mA	60mA	13mA	13mA
	Yellow	120mA	60mA	13mA	13mA
	Green	120mA	60mA	13mA	13mA
	Blue	120mA	60mA	13mA	13mA
	White	120mA	60mA	13mA	13mA
Surge current	All Colors	200mA	100mA	100mA	100mA
Frequency	Flashing	About 1Hz			
	Rotating light	About 100 r/min			
Buzzer	Current	18mA			
	Volume	85dB			
Electrical life	About 50,000 hours				
Connection mode	Wire	UL1007 AWG22 (L=200mm)			
	Connector	Screw TYPE PCB terminal, spacing 5.0mm-2p			

#### Select Code

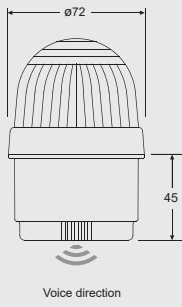
ZQ-7E - 02 A - [ ] [ ] [ ] - [ ] [ ]  
 ① ② ③ ④ ⑤ ⑥ ⑦

- ① Voltage: 01 = 12V/DC  
02 = 24V/DC  
11 = 110V/AC  
22 = 20V/AC
- ② Sound way: None = Sound way  
A = Continuous tone  
B = Intermittent sound
- ③ Color: Red = R  
Yellow = Y  
Green = G  
Blue = B  
White = W
- ④ Function: None = LED Steady  
1 = LED Flashing  
2 = LED Rotating light
- ⑤ Lamp Shade Color: No letters = Color  
C = Transparent color
- ⑥ Stent models: None = Direct mount  
A = 25A — E = 25E  
B = 22B — J = 25J  
C = 25C — K = 25K  
D = 25D — Z = 25Z  
L = 70L
- ⑦ Aluminum tube length: 10 = 10cm  
20 = 20cm  
30 = 30cm  
40 = 40cm

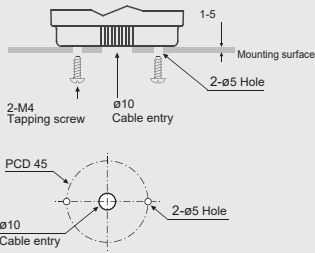
# Size Chart

Unit: mm

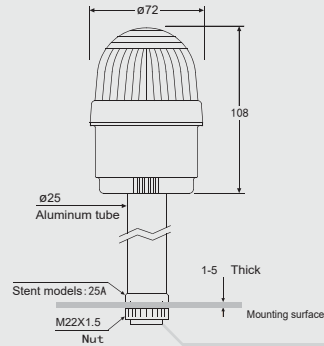
## Direct mount



### mounting dimensions



## Rod mount



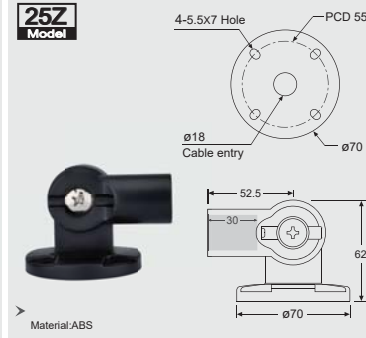
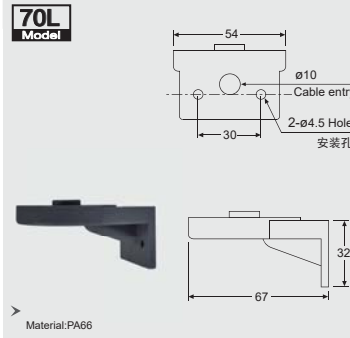
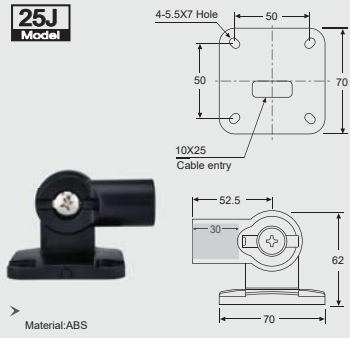
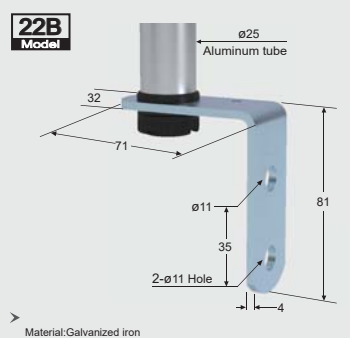
## Stent models 25A Model



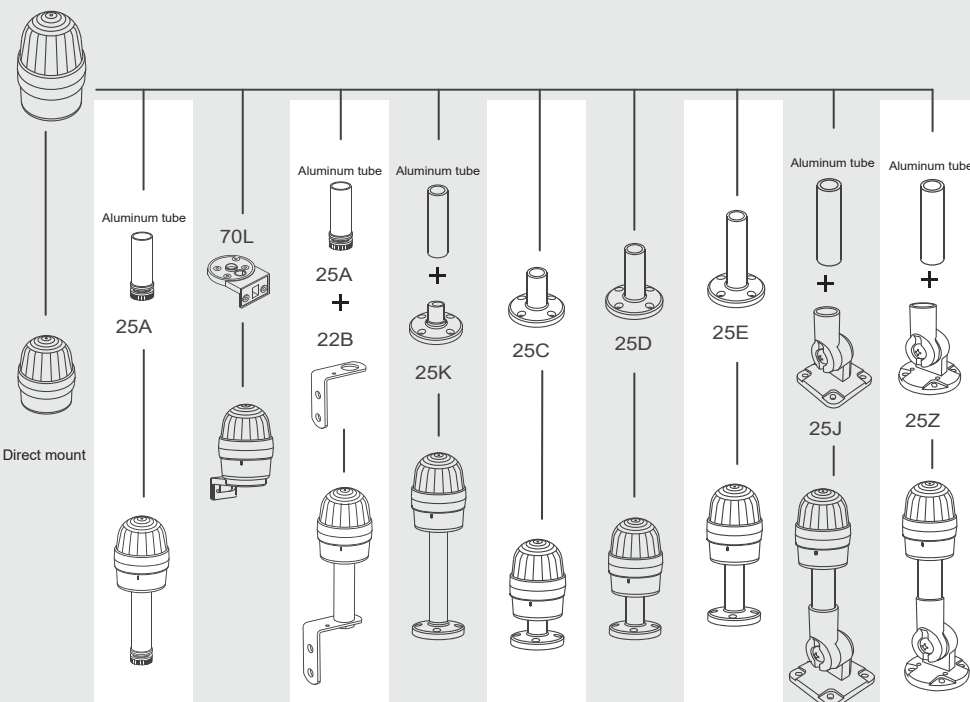
⚠ 25A Must be used with aluminum tube

Adjustable mounting bracket:  
25A | 22B | 25C | 25D | 25E | 25J | 25K | 25Z | 70L

# Support model size diagram Unit: mm



# Assembly diagram of product and mounting bracket



# Wiring Diagram

